

Figure 1 : Customer Interface

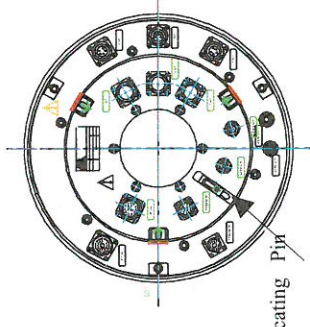


Figure 2 : Service End View

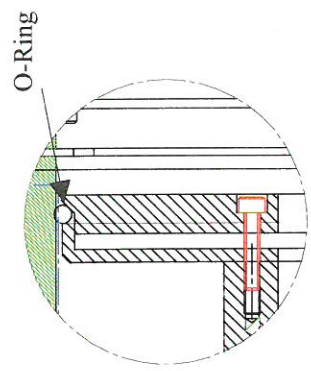


Figure 4 : O-Ring Clamp

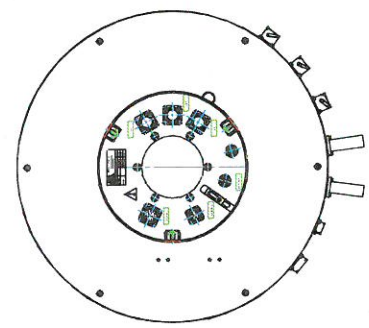


Figure 3 : Service End View with RF Enclosures

205/120